

PART NAME

NEMA 4X ENCLOSURE

PART No.

AN-1316, AN-1316-G, AN-2816 & AN-2816-B

REV. DATE

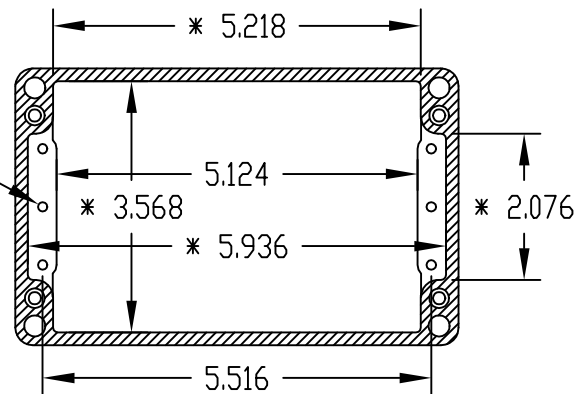
12-6-07

MATERIAL: ALUMINUM ALLOY #ADC-12

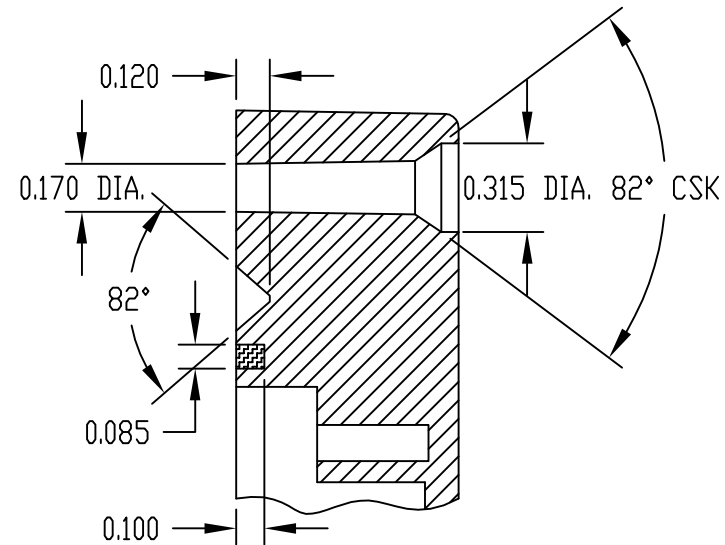
FINISH: NATURAL (NO SUFFIX)
GRAY (SUFFIX -G)
SMOOTH BLACK (SUFFIX -B)

NOTES:
1) FOUR (4) M4 x 25mm (0.975") LG. SCREWS SUPPLIED FOR ASSEMBLY OF COVER TO BODY.
2) ALL HOLE DIAMETERS HAVE ±0.005 TOLERANCE
ALL OTHER DIMENSIONS HAVE ±0.015 TOLERANCE

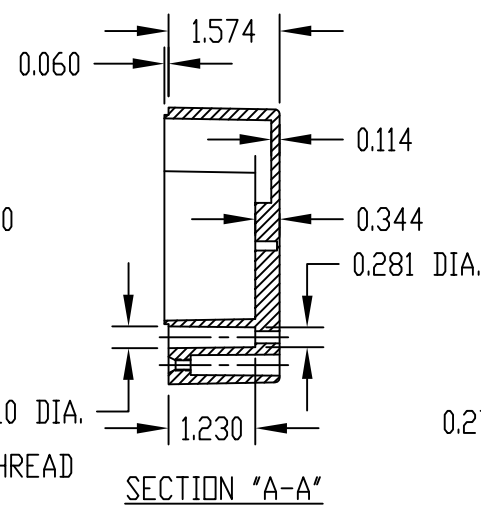
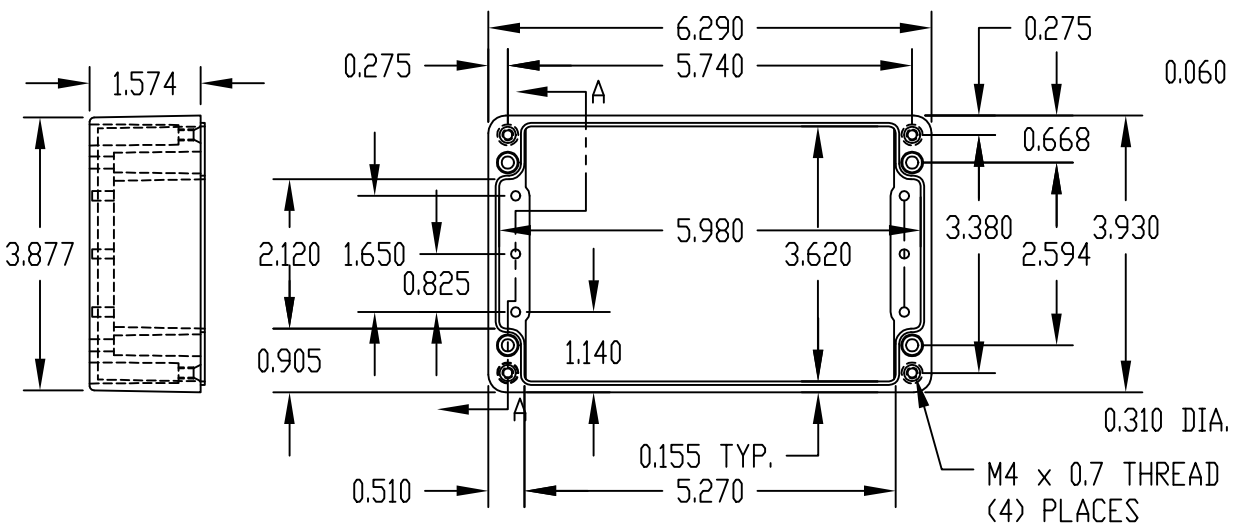
0.136 DIA. x 0.310 DEEP
(6) PLACES
ACCEPTS M4 x 6mm
SELF-TAPPING SCREW
(NOT SUPPLIED)



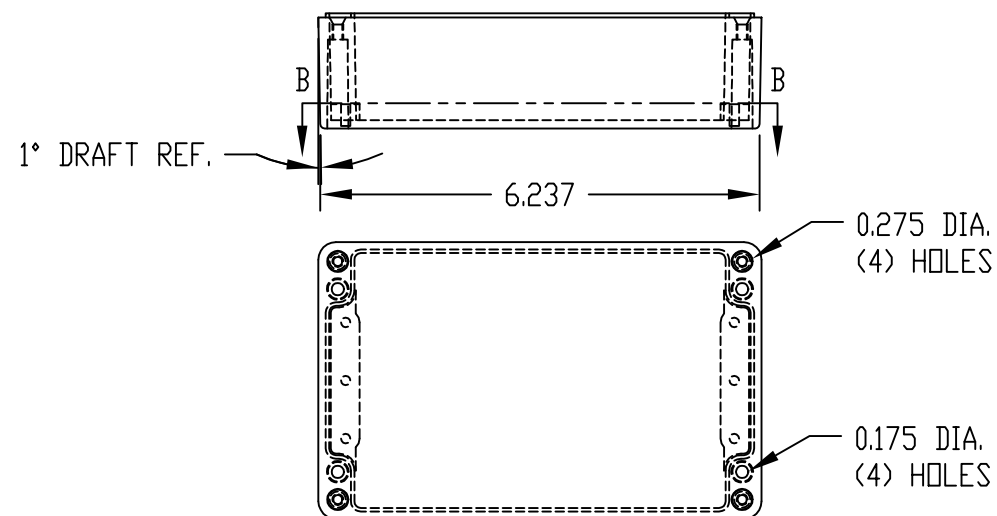
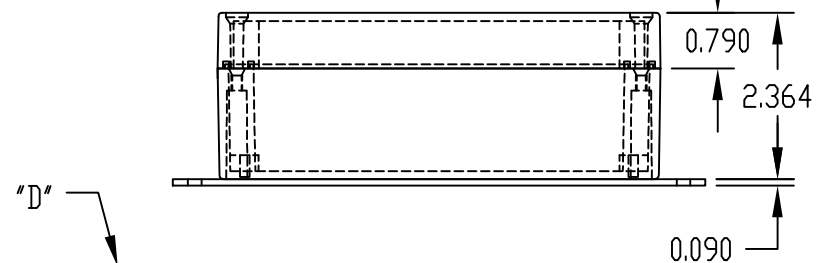
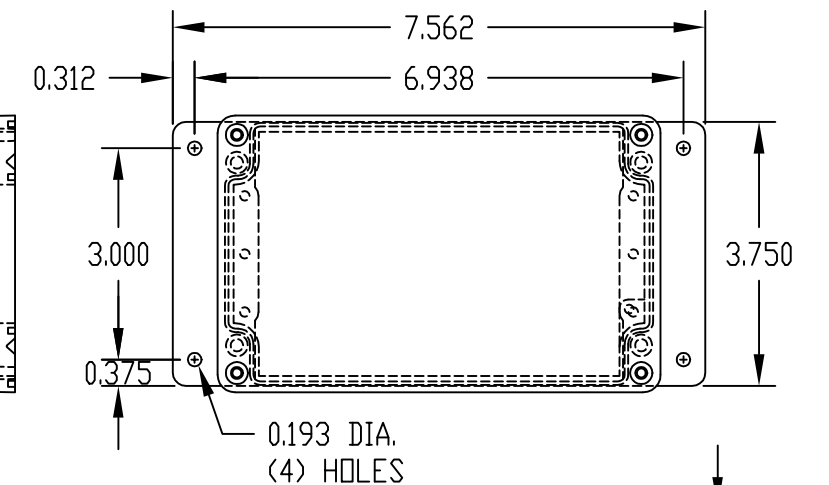
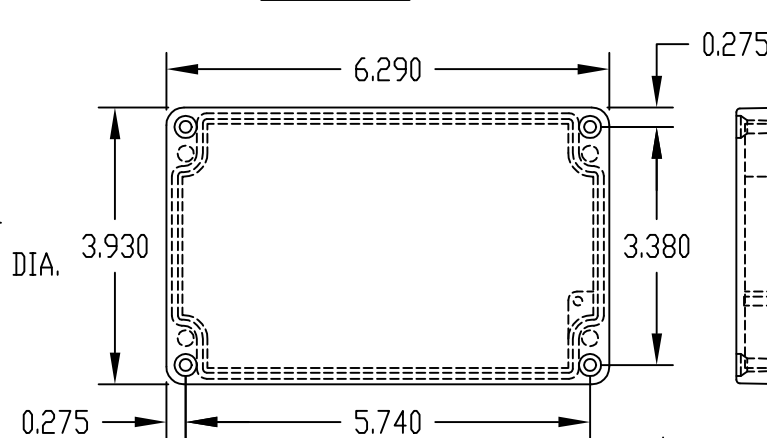
SECTION "B-B"
* DIMENSIONS ARE AT
BOTTOM OF ENCLOSURE



DETAIL "D"



SECTION "A-A"

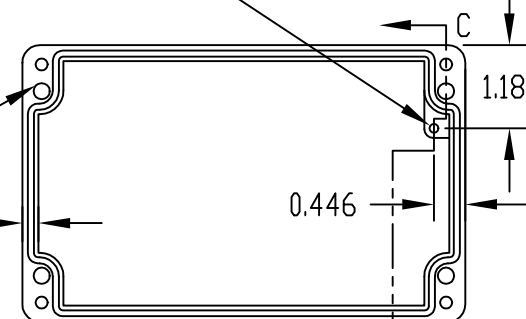


BODY

0.125 DIA. x 0.500 DEEP
(1) PLACE
ACCEPTS M3.5 x 6mm
SELF-TAPPING SCREW
(NOT SUPPLIED)

0.230 DIA.
(4) PLACES

0.230 TYP.



COVER

SEE DETAIL "D"

SILICONE
GASKET
(CLEAR)

0.120 PART NO. AN-2816 & AN-2816-B
ARE SUPPLIED WITH A WELDED
ON MOUNTING BRACKET ONLY.

SECTION "C-C"